

Model SL and Model A-PC Fusible Links

Features

- Tested and Listed for use with PYRO-CHEM KITCHEN KNIGHT II Restaurant Fire Suppression Systems, and the MONARCH Industrial Fire Suppression System through Underwriters Laboratories (UL/ULC)
- Manufactured in accordance with the applicable standards of Underwriters Laboratories (UL/ULC)
- Designed for straight pull load applications
- Fixed temperature releasing device

Model SL

- Maximum continuous load of 50 lb (22.7 kg)
- Minimum continuous load of 3 lb (1.4 kg)
- Color-coded for easy temperature rating identification

Model A-PC

- Maximum continuous load of 40 lb (18.1 kg)
- Minimum continuous load of 5 lb (2.3 kg)

Description

The Model SL and Model A-PC Fusible Links are fixed temperature releasing devices that are thermally actuated. They are tested and listed for use with PYRO-CHEM restaurant fire suppression systems and industrial fire suppression systems through Underwriters Laboratories (UL/ULC).

The fusible links are designed for straight pull load applications. The SL link can withstand a maximum continuous load of 50 lb (22.7 kg) and a minimum continuous load of 3 lb (1.4 kg). The A-PC link can withstand a maximum continuous load of 40 lb (18.1 kg) and a minimum continuous load of 5 lb (2.3 kg).

Both the SL and A-PC links operate in the same manner. When the fusible alloy melts due to exposure to heat, the fusible assembly compresses, allowing the assembly to release from between the two halves of the fusible link. The two halves of the link are then separated by the tension force exerted by the continuous duty load.

Application

The fusible links are installed over cooking appliances and in the ducts of kitchen cooking equipment in restaurant fire suppression systems. They are also installed in vehicle and open face paint spray booths, and in total flooding/local applications in industrial fire suppression systems.

MODEL SL FUSIBLE LINKS



008984

MODEL A-PC FUSIBLE LINKS



009386

The links must be installed and maintained in compliance with the applicable standards of the National Fire Protection Association (NFPA), in addition to any other authorities having jurisdiction.

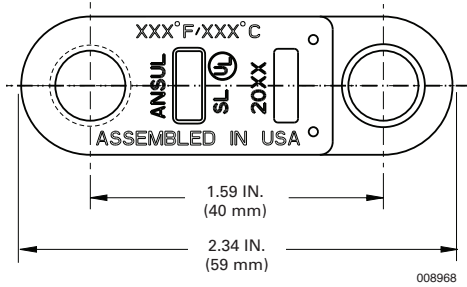
Fusible links installed per NFPA 96, "Standard for Ventilation Control Fire Protection of Commercial Cooking Operations," are to be inspected and replaced in accordance with NFPA 96. For installations other than per NFPA 96, the applicable NFPA Standard and supporting technical manual recommendations must be followed.

Application (Continued)

MODEL SL FUSIBLE LINK

Part No.*	Link Temperature Rating		Maximum Allowable Temperature Exposure		Color of Link
	°F	(°C)	°F	(°C)	
439085	165	(74)	100	(38)	Black
439086	212	(100)	150	(66)	White
439087	280	(138)	225	(107)	Blue
439088	360	(182)	290	(143)	Red
439089	450	(232)	360	(182)	Green

*Part numbers listed are for the 25 pack assembly.

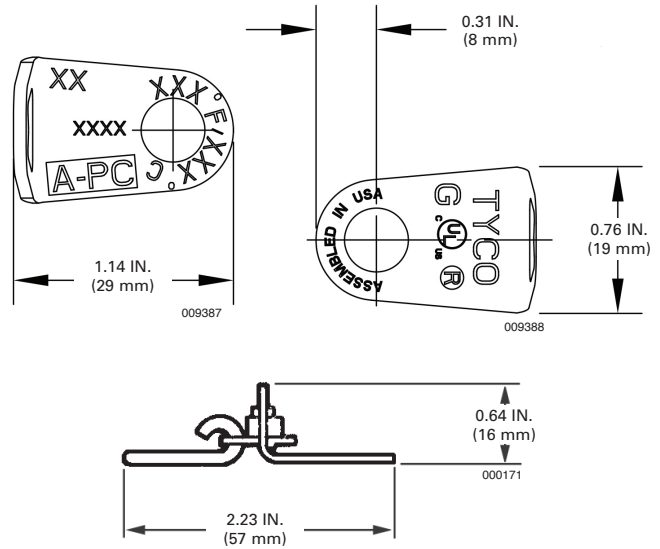


MODEL A-PC FUSIBLE LINK

Part No.	Link Temperature Rating		Maximum Allowable Temperature Exposure	
	°F	(°C)	°F	(°C)
439227**	165	(74)	100	(38)
439228**	212	(100)	150	(66)
439229**	280	(138)	225	(107)
439230**	360	(182)	290	(143)
439231**	450	(232)	360	(182)
439232***	500	(260)	400	(204)

** 10 pack assembly

*** 25 pack assembly



Note: The converted values in this document are provided for dimensional reference only and do not reflect actual measurement.

PYRO-CHEM and the product names listed in this material are marks and/or registered marks. Unauthorized use is strictly prohibited.